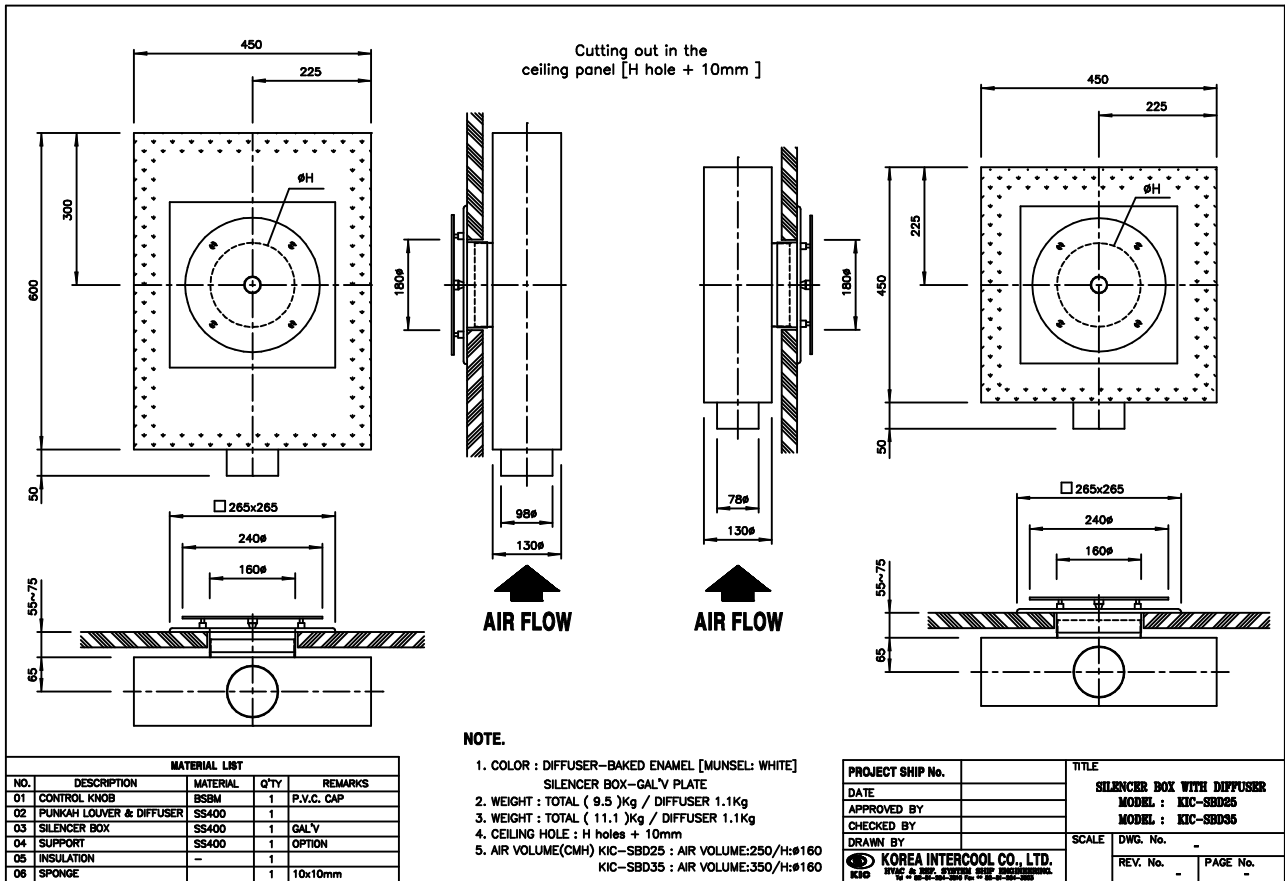
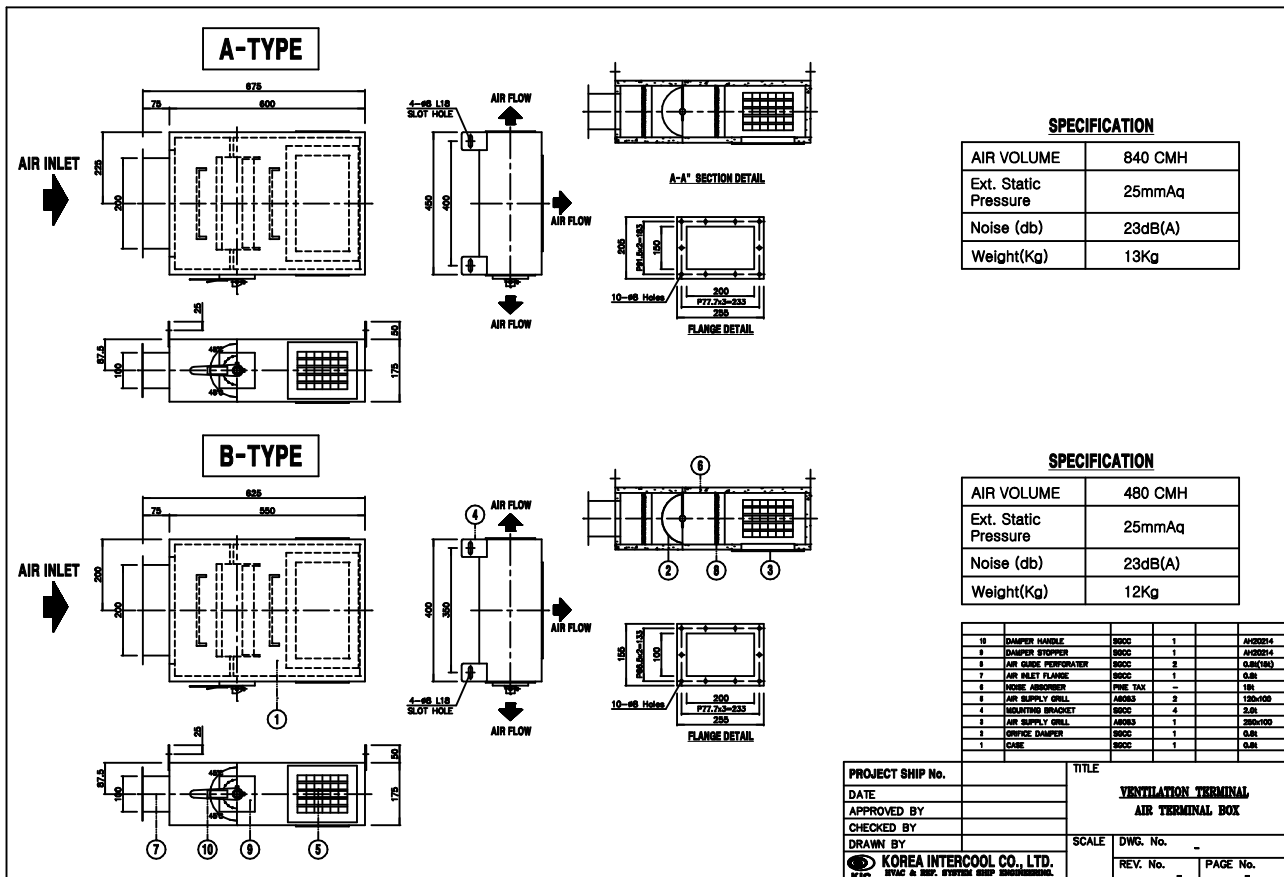


HVAC AIR CONDITIONERS SYSTEM (SILENCER BOX WITH DIFFUSER)



(AIR TERMINAL BOX)



HVAC AIR CONDITIONERS SYSTEM (SILENCER BOX WITH PUNKAH LOUVE)

MATERIAL LIST				
NO.	DESCRIPTION	MATERIAL	Q'TY	REMARKS
01	CONTROL KNOB		1	
02	PUNKAH LOUVER & DIFFUSER	SS400	1	
03	SILENCER BOX	SS400	1	GAL'Y
04	SUPPORT	SS400	4	OPTION PART
05	INSULATION	-	1	
06	SPONGE		1	10x10mm
07	FLANGE	SPCC	1	
08	HOUSING	AL	1	
09	FELT	WOOL	1	
10	CONTROL KNOB	BSM	1	
11	BLADE SPRING	SS400	1	
12	SPONGE PACKING		1	
13	BOLT NUT	BSM	1	

NOTE.
 1. COLOR : DIFFUSER : BAKED ENAMEL [MUNSEL : WHITE]
 2. TOTAL (8.5)Kg / DIFFUSER 1.1Kg
 3. CEILING HOLE : H holes + 10mm

PK-6 #100	200CMH	78	170	170	184	202	88	98	A+10	24	67
PK-5 #80	150CMH	78	142	142	158	175	77	77	A+10	19	58
PK-4 #60	100CMH	78	123	123	138	155	72	57	A+10	15	54

PROJECT SHIP No.	TITLE
DATE	SILENCER BOX WITH PUNKAH LOUVER
APPROVED BY	MODEL : KIC-SBP35
CHECKED BY	
DRAWN BY	SCALE
KOREA INTERCOOL CO., LTD. HVAC & REFR. SYSTEMS ENGINEERING KIC	DWG. No.
	REV. No.
	PAGE No.

(EXHAUST TERMINAL)

MATERIAL LIST				
NO.	DESCRIPTION	MATERIAL	Q'TY	REMARKS
01	BODY	SS400	1	MUNSEL NO. N9.5

NOTE.
 1. COLOR : WHITE
 2. WEIGHT : EV-100 (0.2)Kg
 EV-160 (0.5Kg)

PROJECT SHIP No.	TITLE
DATE	EXHAUST TERMINAL
APPROVED BY	MODEL : EV100 & EV180
CHECKED BY	
DRAWN BY	SCALE
KOREA INTERCOOL CO., LTD. HVAC & REFR. SYSTEMS ENGINEERING KIC	DWG. No.
	REV. No.
	PAGE No.

HVAC AIR CONDITIONERS SYSTEM (VOLUME DAMPER)

REV.	DESCRIPTION	REV.	CHECKED	DATE

5 DETAIL

No.	NAME	Q'ty	REMARK'S
5	STOPPER	1	SS400
4	MAIN LINKGE SET	1	SS400
3	BLADE SET	1	SS400
2	HANDEL SET	1	SS400
1	BODY & FLANGE	1	SS400

PROJECT SHIP No.	TITLE
DATE	CLOSING or VOLUME DAMP
APPROVED BY	
CHECKED BY	
DRAWN BY	SCALE DWG. No. -
KOREA INTERCOOL CO., LTD. <small>HVAC & REFR. SYSTEMS GROUP</small>	
REV. No. -	PAGE No. -

(INSPECTION DOOR)

REV.	DESCRIPTION	REV.	CHECKED	DATE

*** MENO ***

1. OPEN DOOR 방향은 실내용으로 함.
2. OPEN SIZE : 230x250x25T

No.	NAME	Q'ty	MATERIAL	SIZE	REMARKS
7	POP RIVER	2	AL	3.2x10L	-
6	PACKING	1	RUBBER FOAM	20x8	-
4	PLAND HINGE	1	SUS304	1.0T-20T	-
3	PUSH BUTTON LOCK W/LATCH	1	BRASS	20x40	ON-PLATED
2	HATCH BLADE	1	SP410	1.0T	ENAMEL COATED
1	HATCH FRAME	1	SP410	1.0T	ENAMEL COATED

PROJECT SHIP No.	TITLE
DATE	ACCESS DOOR (HATCH)
APPROVED BY	
CHECKED BY	
DRAWN BY	SCALE DWG. No. -
KOREA INTERCOOL CO., LTD. <small>HVAC & REFR. SYSTEMS GROUP</small>	
REV. No. -	PAGE No. -

- * MENO ***
1. VOLUME DAMPER는 요구 사이즈에 맞게 제작됨
 2. 모든 제품은 제작규격에 준하여 작업.

HVAC AIR CONDITIONERS SYSTEM (WALL MOUNTING DOOR)

REV.	DESCRIPTION	CHK.	DATE

Type No.	SIZE (WxH)	FRAME AREA (m ²)	REMARK
WG-22	222 x 222	0.036	
WG-23	222 x 322	0.060	
WG-24	322 x 422	0.072	
WG-35	322 x 522	0.120	
WG-36	322 x 622	0.152	

PROJECT SHIP No.	TITLE
	WALL MOUNTING GRILL (DOOR) MODEL : KIC-WG
DATE	SCALE
APPROVED BY	DWG. No. -
CHECKED BY	REV. No. -
DRAWN BY	PAGE No. -
KOREA INTERCOOL CO., LTD. <small>HVAC & REFR. SYSTEMS EXP. ENGINEERING</small> <small>KIC TEL: 02-262-2900 FAX: 02-262-2905</small>	

(GRILL & SHUTTER GRILL)

GRILL(No.1)

SHUTTER GRILL(No.2)

REV.	DESCRIPTION	CHK.	DATE

PROJECT SHIP No.	No.	NAME	QTY	MATERIAL	SIZE	REMARKS
DATE	TITLE					
APPROVED BY	SHUTTER & GRILL'S FOR CEILING MOUNTING					
CHECKED BY	SCALE					
DRAWN BY	DWG. No. -					
KOREA INTERCOOL CO., LTD. <small>HVAC & REFR. SYSTEMS EXP. ENGINEERING</small> <small>KIC TEL: 02-262-2900 FAX: 02-262-2905</small>						

*** MENO ***

1. 모든 제품은 DUCT SIZE에 맞게 제작 가능.
2. 제작규격에 준하여 작업.